



# TWENTY TWO DUAL

## Specifications.



### Speed

Fast charging is quickly becoming the dominant segment within the EV charging industry, with more and more EV's supporting 22kW charging. The 22 Dual is perfectly suited to meet this demand



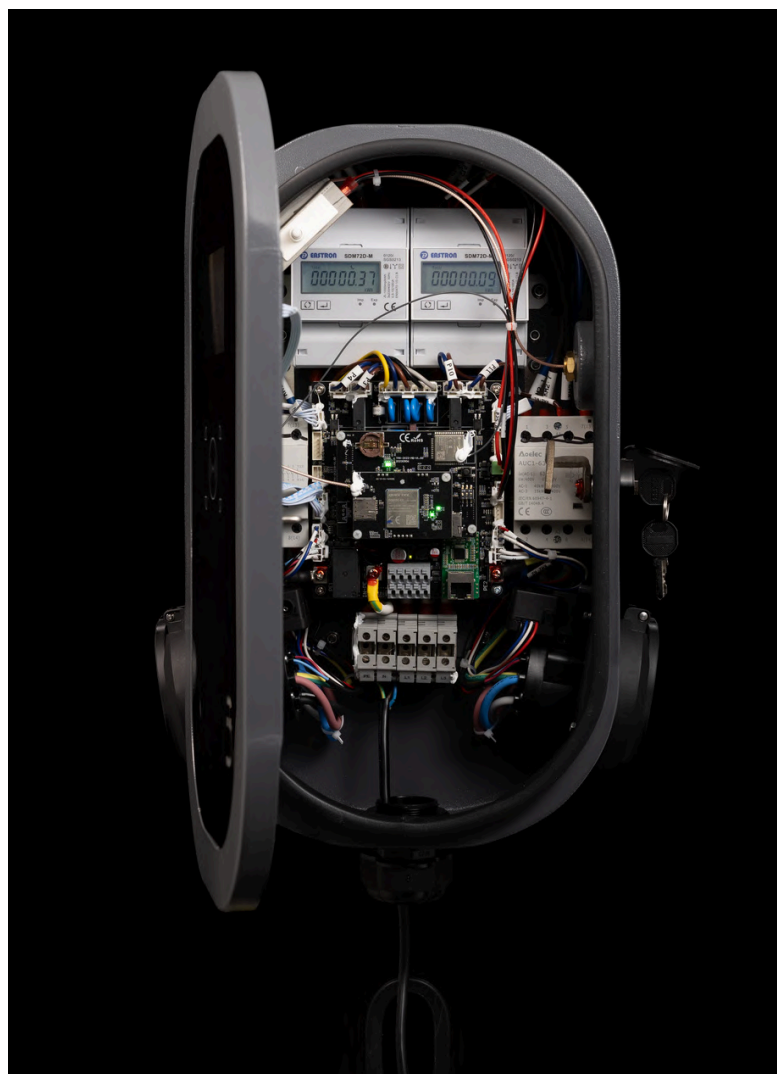
### Size

No more bulky dual chargers dominating walls and parking spaces. The 22 Dual is feature rich and compact, with an overall case volume rivalling that of anything on the market today, without compromising on spec



### Support

Backed by VCHRGD's world class technical support, after sales isn't an afterthought for us. Providing integration with market leading OCPP back-ends, and all supported from our UK Headquarters by a team that know our products better than anyone



#### Dynamic Output

Configurable outputs of 2x22kW, 2x11kW for 3-phase inputs and 7.4kW split for 1-phase



#### Load Balancing

Hard wired dynamic load balancing with CT's provided in box. Wireless solutions in development



#### Robust Casing

Robust and corrosion resistant aluminium casing. Chargers built to last in any environment



#### RFID

Built-in RFID reader for easy charge card registration and local charge authorisation



#### MID Metering

2x MID metered channels to ensure the highest level of metering compliance for billing



#### Easy Installation

Hinged front door and clearly laid out internal wiring termination for a quick & easy install



#### OCPP 1.6

OCPP 1.6 compliant for easy integration with plethora back-end service providers



#### Universal Socket

2x Universal Type 2 sockets, high quality connectors with built in flanges for debris & water



#### Secure

Compliant with all UK smart charging standards & encrypted bluetooth, WiFi & 4G comms



#### PEN Protection

Simplified installation and reduced project costs, through built in PEN protection



#### Compact

Densely packed with features all in one to the industries smallest form factors at 465 x 254 x 135mm



#### Protection

PEN Fault, RCM, OV/UV, Over Current, Short Circuit, Over Temperature & Type A + 6mA RCD



#### Anti-Tamper

Magnetic anti-tamper switch built in for case open detection and emergency cut-off



#### Touch Screen

4.3" TFT Touch Screen for on site configuration, customisation and charging information



#### Connected

Configurable connectivity with WiFi, 4G and Ethernet. Your connection, your choice



# Specifications.

Product Family	TwentyTwo Dual
Dimensions (mm)	465 x 254 x 135 (L x W x H)
Weight (kg)	Approx 10kg
Display	4.3" LCD Capacitive Touch Screen 480 x 272px resolution
Casing Material	Powder coated aluminium
<b>Input</b>	
Voltage	AC 230/400V
Max Current	32A/64A
Frequency	50Hz ± 1Hz
Power Input	3P+N+PE
<b>Output</b>	
Nominal Voltage	AC 230V (1P) 400V (3P)
Current	6-32A per outlet
Rated Power	22kW max per outlet (44kW total)
<b>Operating Conditions</b>	
IP Protection Degree	Sockets rated to IP54 Casing rated to IP65
Working environment temperature	-20°C ~ +50°C
Relative Humidity	5% ~ 95%
Altitude	≤ 2000m
Mounting	Wall mounted as standard Pedestals available
<b>Protective Features</b>	
Tamper Detection	Magnetic Tamper Switch
Protection	Over Current protection Over/Under Voltage protection Over temperature protection (with load-decrease) DC 6mA leakage protection Disconnected PE protection CP Diode Protection Contactor Welding Protection Grounding Protection
RCD	DC 6mA (external Type A RCBO required for 30mA)
<b>Connectivity</b>	
Wireless Communication	WiFi + Bluetooth (2.4GHz) 4G (sim & data available at additional cost) RFID 125KHz
Wired Communication	Ethernet/LAN IEEE 802.3 RS485
OCPP	OCPP 1.6J

# Specifications.

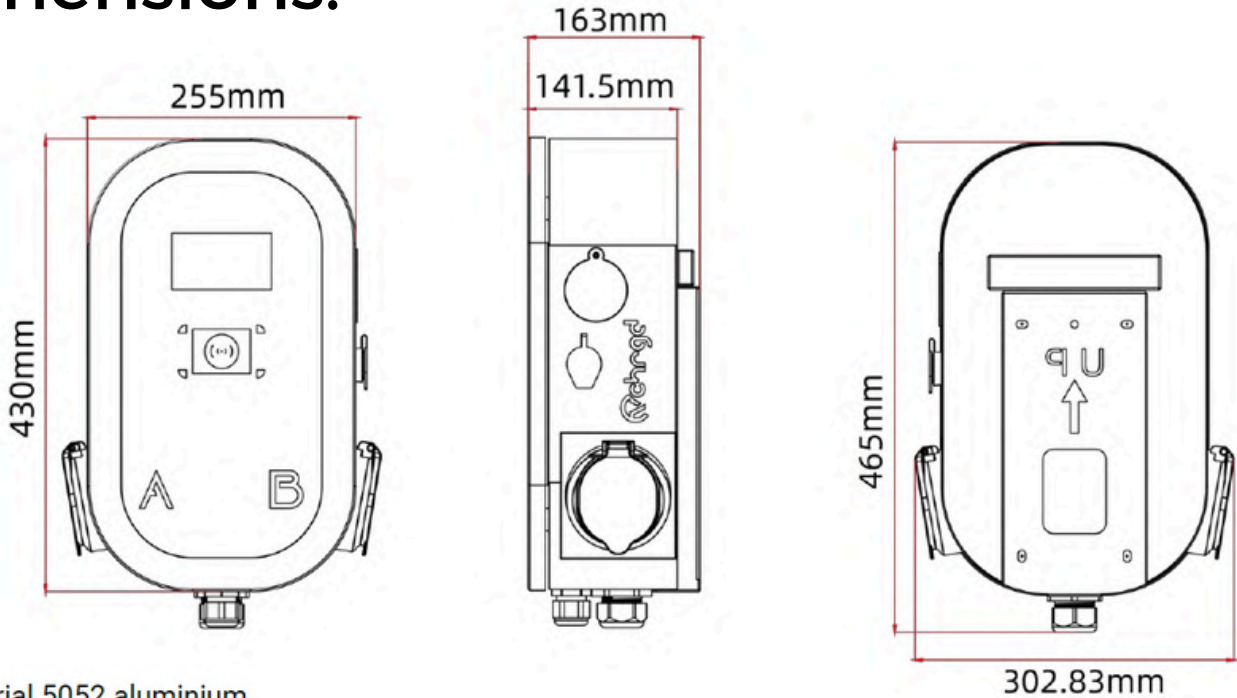
- Dual Socket Type 2 (IEC 62196 3 Phase) or Tethered Type 2
- IEC61851-1:2019, IEC61851-22, IEC62196 , EN301489-1 V2.2.3 (2019-11), EN301489-17
- V3.2.4(2020-09), Certified by a CNAS recognized 3rd party test authority OCPP1.6J can be customised to meet 3rd party integration requirements
- 4.3 inch high-definition LCD
- RFID, Mobile App Connected via Back, Contactless Payment (3rd party)
- Power can be set, support local setting, server setting, APP setting (with APP)
- Smart charging dynamic load management (wired or wireless)
- Wi-Fi/Ethernet/4G LTE multiple networking methods choose one/two of three.

Operating modes for connectivity standards are as follows;

1. WiFi Only
  2. WiFi and 4G
  3. WiFi and Ethernet
  4. Ethernet and 4G
- Two individual MID certified electric meters measurement measuring both outputs simultaneously
  - Type B leakage protection. Achieved by internal type plus DC 6mA. As the case is metal material an additional external RCBO is required for external leakage protection.
  - Current, voltage detection, grounding detection, temperature detection, fault alarm and emergency button, PEN protection, surge protection (Radiation class B surge consolidation 4kV, differential mode 2kV, EFT 4kV/5kHz)
  - Illuminated LED lights with 3 different colours identifies the charging status
  - Wall and column mounting options are suitable for various installation applications

## Specifications.

### Dimensions.



Material 5052 aluminium.  
Powder coat finish

## Customisation.



### Your charger, your way...

Customisation options for the TwentyTwo Dual range from weatherproof vinyl wrapping of the front plate, to full custom touchscreen video screensavers, custom icons and user interface including digital QR codes and much more. Customisation design services are offered in house and if there is a CPO you would like to onboard with, we can support OCPP integration pathways.

Ask us about customising your fast charger installation today, our team will work with you to craft your vision.