

Recharge



TWENTY  
TWO PRO

Product Datasheet



DATASHEET V1.2 2025

# I N T R O D U C T I O N

The VCHRGD TwentyTwo Pro is the ultimate solution for workplace, destination, fleet, and commercial three phase EV charging. Combining cutting-edge technology with effortless functionality, this 22kW charge point is designed to meet the demands of modern electric mobility.

With integrated 4G, WiFi, RFID and Bluetooth connectivity, the TwentyTwo Pro ensures seamless communication and control. Advanced features such as PEN protection, dynamic load management, and roaming data enhance safety and efficiency, while a 3-year warranty provides peace of mind.

Crafted with user experience at its core, the sleek two-tone matte and glossy black design complements any environment. Push-fit installation simplifies setup and ensures ease of maintenance throughout its lifetime.

Engineered for reliability and defined by its premium aesthetics, the VCHRGD TwentyTwo Pro sets a new standard in EV charging.



# INTRODUCTION

## PRODUCT FEATURES



## KEY FEATURES

**Load Balancing**  
Hard-wired dynamic load balancing with CT's provided in box. Never overload your main supply

**Robust Casing**  
Robust IK10 rated ABS casing. Chargers built to last in any environment

**Push Fit**  
Simple installation with modular charging hardware, increased wiring area & push fit connection

**PEN Protection**  
Simplified installation and reduced project costs, through built in PEN protection

**RFID**  
Built-in RFID reader for easy charge card registration and local charge authorisation

**OCPP 1.6**  
OCPP 1.6 compliant for easy integration with a plethora of back-end service providers

**Universal Socket**  
Universal Type 2 socket for flexibility and future proof commercial charging

**Secure**  
Compliant with all UK smart charging standards & encrypted bluetooth, WiFi & RFID

**Cable Lock**  
Turning untethered chargers into tethered at the touch of a button. Secure your cable

**Connected**  
Configurable connectivity with WiFi, 4G and Ethernet. Your connection, your choice

## S P E C I F I C A T I O N

## KEY SPECIFICATIONS

## Electrical Characteristics

Charger Type	Mode 3 (IEC61851-1)
Nominal Supply	Single phase 230V / Three Phase 400V, 50Hz
Charging Power	Up to 32A (22kW)
Over Current Protection	40A
Current rating	Adjustable (6A to 32A)
Standby Power Consumption	<2.5W
Earth Leakage Protection	AC 30mA + DC 6mA
PEN Protection	BS7671:722.411.4.1 Ident V
Supply Connection	L1,L2, L3, N + PE / CT1 + CT2 + CT3 + PV+/-

## Connectivity

WiFi	(IEEE 802.11bgn) @ 2.4Ghz WPA-2
Connection security	Transport Layer Secure Encryption HTTPS
Bluetooth	2.4GHz
RFID	~ 120 -140kHz
4G Cellular	~ 600 MHz -2.5 GHz

## Mechanical Features

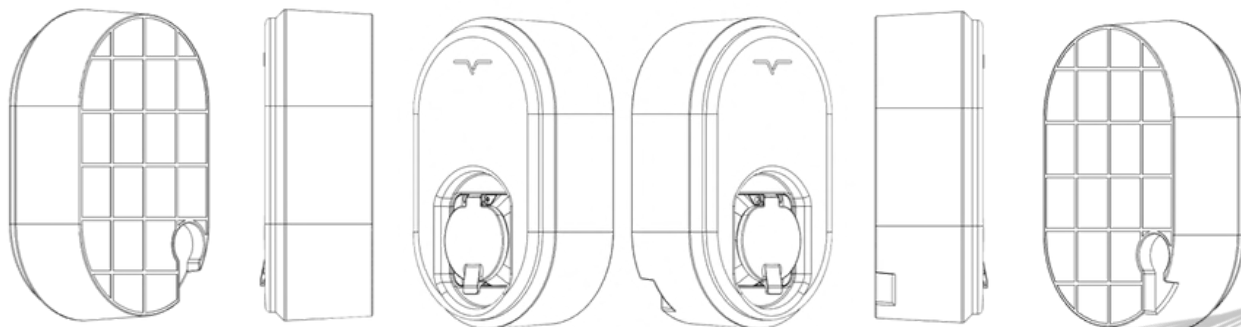
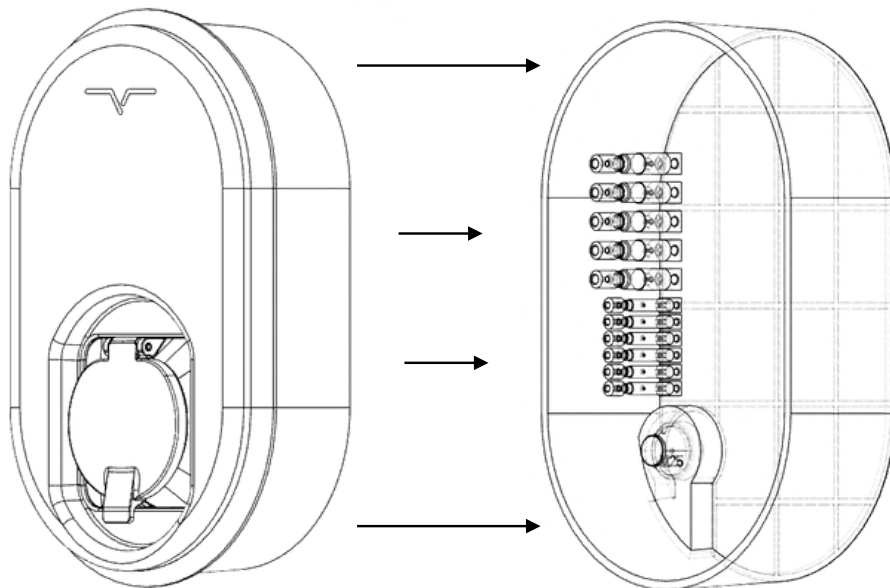
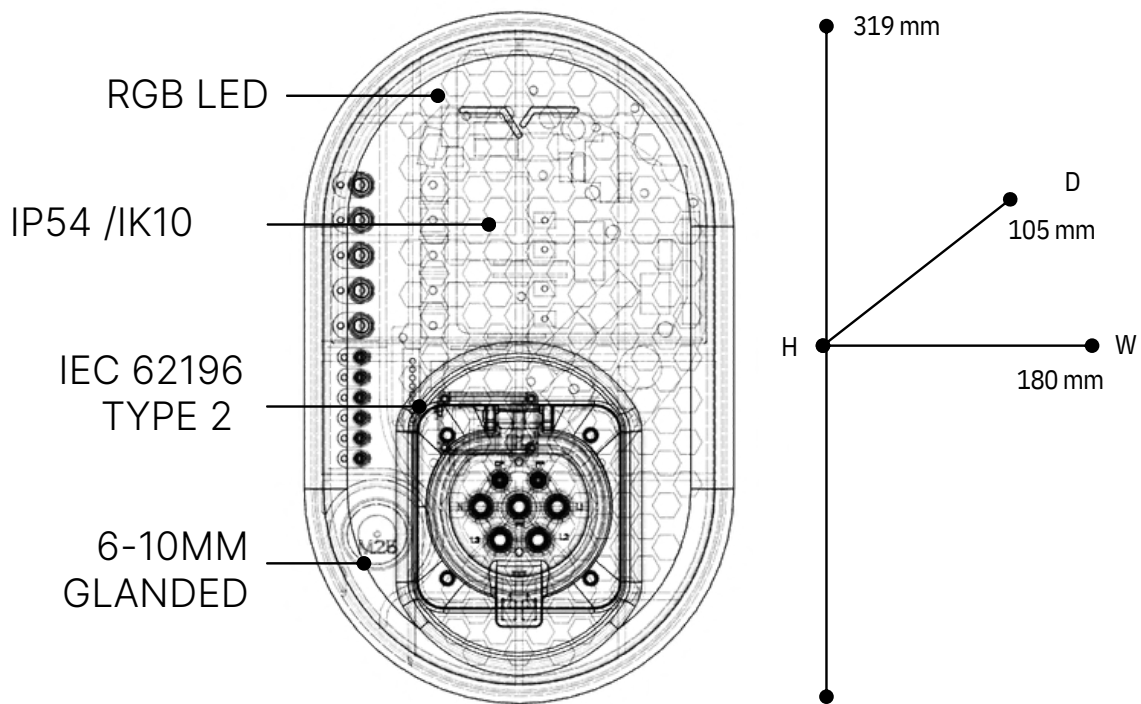
Connector	Type 2 IEC62196
Mounting	Wall or Pedestal
Dimension (mm)	300 (L) 180 (H) 90 (D)
Weight	3.5kg approx
IP Class/IK Class	IP54 / IK10

## Safety &amp; Operational Ratings

Status	LED Indication, Mobile Application (OCPP 1.6j)
Operating Ambient Temperature	-25°C to 50°C
Relative Humidity	5% -95%
Atmospheric Pressure	80kPA -110kPA
EMC Compliance	IEC61000-4
Integral Protection	Under & Over Voltage, Temperature & Current 6mA DC Leakage, RCDD PEN Fault Detection

# SPECIFICATION

## CASING & DIMENSIONS



## P A C K A G I N G

## I N S I D E T H E B O X

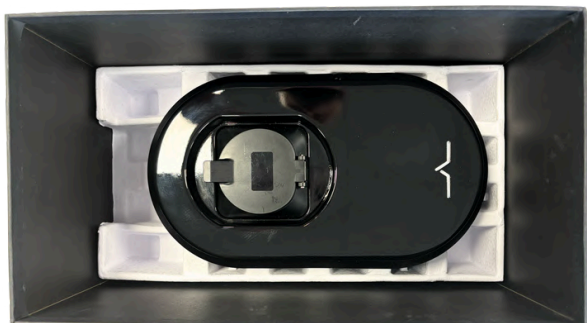
## I N T E R N A L P A C K A G I N G

INTERNAL PROTECTIVE PACKAGING  
KEEP ME GUIDE, FIXINGS PACK, 2X RFID CARDS



## C H A R G E P O I N T

22KW CHARGEPOINT



## E X T E R N A L P A C K A G I N G

PROTECTIVE CARDBOARD MATTE FINISH ANTI-SCUFF SLEEVE, RIGID CARDBOARD CORE PACKAGING WITH INTERNAL PROTECTION



100% RECYCLABLE

ALL PACKAGING MATERIALS ARE 100% RECYCLABLE AND SHOULD BE RESPONSIBLY DISPOSED OF AFTER INSTALLATION



—● FIXTURES

4 X WALL MOUNTING SCREWS  
4 X WALL PLUGS  
5 X FERRULES  
1 X TORX+ DRILL BIT  
5 X TORX+ BACK BOX SCREWS



—● C T C L A M P

3 X CT CLAMP AS STANDARD  
EASTRON SPLIT CORE CT 120A  
RATED INPUT 40MA OUTPUT  
0.5% ACCURACY



—● 4 G S I M

3 YEARS DATA, 3 ROAMING UK  
NETWORKS, 50MB/MONTH  
MAXIMUM USAGE, WORKS IN  
TANDEM WITH WIFI FOR  
FALLBACK OR STANDALONE



—● R F I D C A R D S

2 X TAP & CHARGE RFID CARDS  
USED TO AUTHORISE CHARGING  
IN TANDEM WITH VCHRGD HOME  
APP, OR IN STANDALONE RFID  
MODE IF NO DATA CONNECTION

**NOTE** | IT IS IMPORTANT TO ENSURE THAT THE CUSTOMER RETAINS THE KEEP ME GUIDE FOR HOME APP SIGN UP AND ONGOING SUPPORT PURPOSES.

Looking to learn a little more?  
Why not reach out...



01494 370525



[sales@vchrgd.com](mailto:sales@vchrgd.com)



[www.vchrgd.com](http://www.vchrgd.com)



1A Eghams Court, SL8 5YS



SIMPLICITY | SUSTAINABILITY | SUPPORT