

Recharge



# SEVEN<sub>PRO</sub>

Product Datasheet



DATASHEET V1.3 2024

# I N T R O D U C T I O N

The VCHRGD Seven Pro is a premium 7.4kW charging solution designed for domestic, fleet-at-home, destination, and workplace applications. Delivering 32A of single-phase power, this charger combines reliable performance with user-friendly features to support the needs of everyday EV charging.

With built-in WiFi, RFID, and Bluetooth connectivity, the Seven Pro ensures smooth operation and effortless management. Enhanced safety is provided by PEN, UV/OV & temperature protection, while dynamic load management optimises power usage across your system. Backed by a 3-year warranty, it's a solution built to last.

Featuring a sophisticated two-tone matte and glossy black design, the Seven Pro offers a clean, modern aesthetic that complements any setting. Its innovative push-fit installation simplifies setup and ensures ease of maintenance for years to come.

Practical, efficient, and stylish, the VCHRGD Seven Pro redefines cost effective convenience in EV charging.



# INTRODUCTION

## PRODUCT FEATURES

### UNTETHERED TYPE 2 UNIVERSAL



### TETHERED 5 OR 7.5M TYPE 2



## KEY FEATURES



#### Load Balancing

Hard-wired dynamic load balancing with CT provided in box. Never overload your main supply



#### Robust Casing

Robust IK10 rated ABS casing. Chargers built to last in any environment



#### Push Fit

Simple installation with modular charging hardware, increased wiring area push fit connection



#### PEN Protection

Simplified installation and reduced project costs, through built in PEN protection



#### RFID

Built-in RFID reader for easy charge card registration and local charge authorisation



#### OCPP 1.6

OCPP 1.6 compliant for easy integration with a plethora of back-end service providers



#### Universal Socket

Universal Type 2 socket or tethered 7.5 metre Type 2 Cable built in



#### Solar Integration

Our chargers monitor your solar export, allowing you to charge for free with 1 or 2 CT Inputs



#### Secure

Compliant with all UK smart charging standards & encrypted bluetooth, WiFi & RFID



#### Cable Lock

Turning untethered chargers into tethered at the touch of a button. Secure your cable

# S P E C I F I C A T I O N

## KEY SPECIFICATIONS

### Electrical Characteristics

Charger Type	Mode 3 (IEC61851-1)
Nominal Supply	Single phase 230V, 50/60Hz
Charging Power	Up to 32A (7kW)
Over Current Protection	40A
Current rating	Adjustable (6A to 32A)
Standby Power Consumption	<2.5W
Earth Leakage Protection	AC 30mA + DC 6mA (2P Type A RCBO Required)
PEN Protection	BS7671:722.411.4.1 Ident V
Supply Connection	L, N + PE / CT1 + CT2

### Connectivity

WiFi	(IEEE 802.11bgn) @ 2.4Ghz WPA-2
Connection security	Transport Layer Secure Encryption HTTPS
Bluetooth	2.4GHz
RFID	~ 120 -140kHz
4G Cellular *Optional*	~ 600 MHz -2.5 GHz

### Mechanical Features

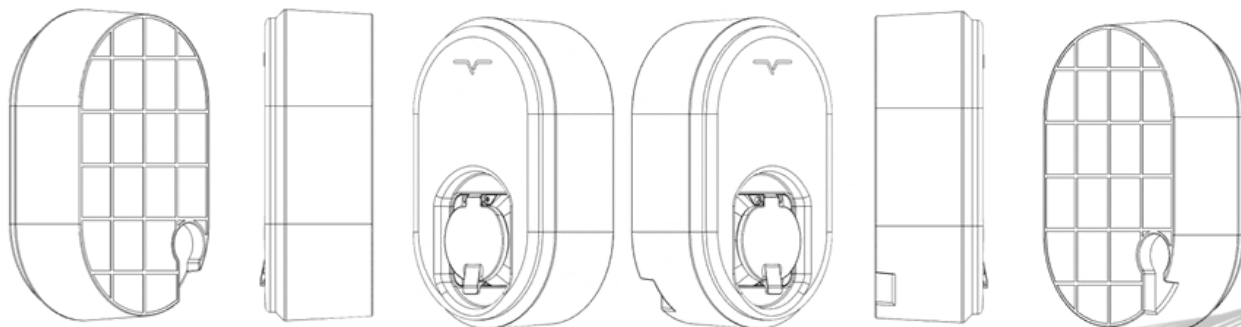
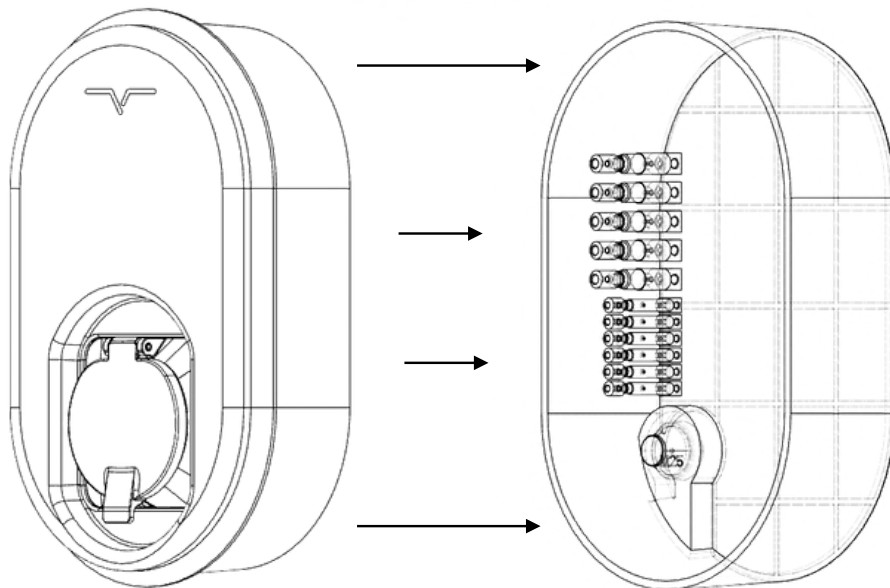
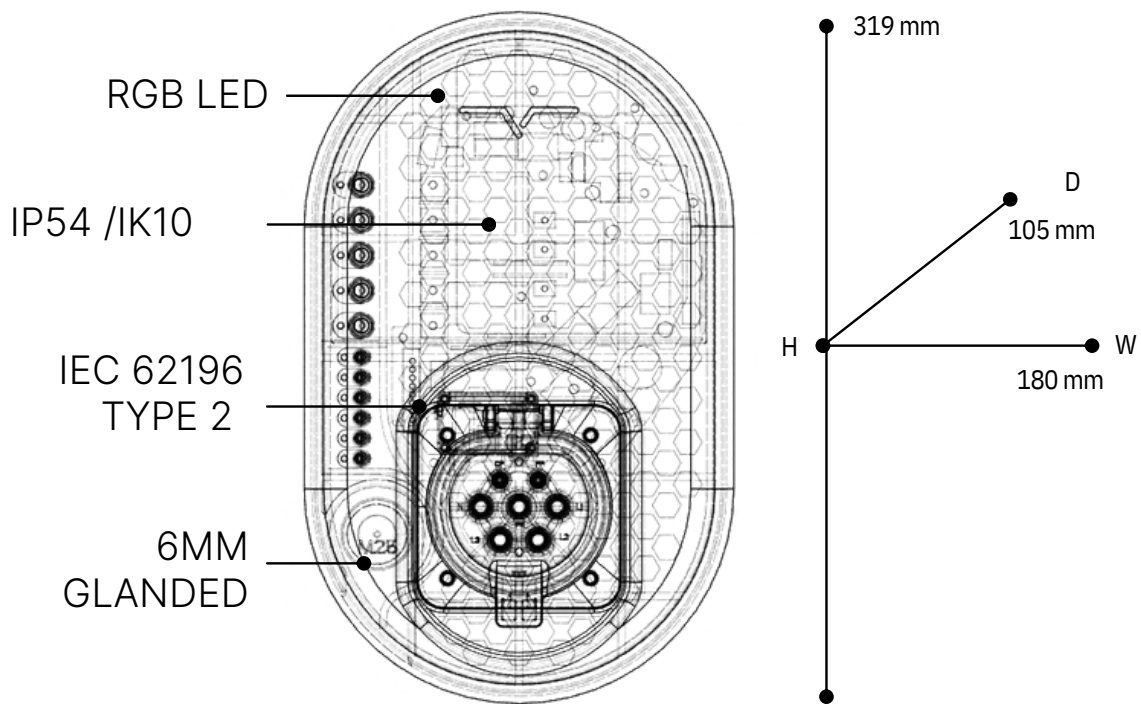
Connector	Type 2 IEC62196
Mounting	Wall or Pedestal
Dimension (mm)	300 (L) 180 (H) 90 (D)
Weight	3kg approx. (excl. charging cable) 4kg w/ cable
IP Class/IK Class	IP54 / IK10

### Safety & Operational Ratings

Status	LED Indication, Mobile App (OCPP 1.6j)
Operating Ambient Temperature	-25°C to 50°C
Relative Humidity	5% -95%
Atmospheric Pressure	80kPA -110kPA
EMC Compliance	IEC61000-4
Integral Protection	Under & Over Voltage, Temperature & Current 6mA DC Leakage, RCDD PEN Fault Detection

# SPECIFICATION

## CASING & DIMENSIONS



## P A C K A G I N G

## I N S I D E T H E B O X

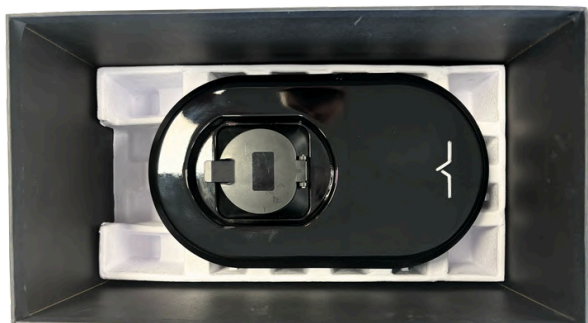
## I N T E R N A L P A C K A G I N G

INTERNAL PROTECTIVE PACKAGING  
KEEP ME GUIDE, FIXINGS PACK, 2X RFID CARDS



## C H A R G E P O I N T

7KW CHARGEPOINT W/ CABLE IF TETHERED



## E X T E R N A L P A C K A G I N G

PROTECTIVE CARDBOARD MATTE FINISH ANTI-SCUFF SLEEVE, RIGID CARDBOARD CORE PACKAGING WITH INTERNAL PROTECTION



100% RECYCLABLE

ALL PACKAGING MATERIALS ARE 100% RECYCLABLE AND SHOULD BE RESPONSIBLY DISPOSED OF AFTER INSTALLATION



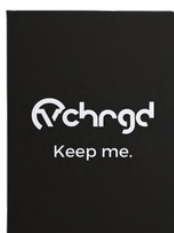
—● FIXTURES

4 X WALL MOUNTING SCREWS  
4 X WALL PLUGS  
3 X FERRULES  
1 X TORX+ DRILL BIT  
5 X TORX+ BACK BOX SCREWS



—● C T C L A M P

1 X CT CLAMP AS STANDARD  
2ND CT CLAMP IF ORDERED  
EASTRON SPLIT CORE CT 120A  
RATED INPUT 40MA OUTPUT  
0.5% ACCURACY



—● K E E P M E G U I D E

COMMISSIONING & SET UP GUIDE  
TO BE LEFT WITH CUSTOMER  
INSTALLER PASSWORD, APP SET  
UP CREDENTIALS & QR CODES TO  
DOWNLOAD USER/INSTALL APPS



—● R F I D C A R D S

2 X TAP & CHARGE RFID CARDS  
USED TO AUTHORISE CHARGING  
IN TANDEM WITH VCHRGD HOME  
APP, OR IN STANDALONE RFID  
MODE IF NO DATA CONNECTION

**N O T E** | IT IS IMPORTANT TO ENSURE THAT THE CUSTOMER  
RETAINS THE KEEP ME GUIDE FOR HOME APP SIGN UP  
AND ONGOING SUPPORT PURPOSES.

Looking to learn a little more?  
Why not reach out...



01494 370525



[sales@vchrgd.com](mailto:sales@vchrgd.com)



[www.vchrgd.com](http://www.vchrgd.com)



1A Eghams Court, SL8 5YS



SIMPLICITY | SUSTAINABILITY | SUPPORT